

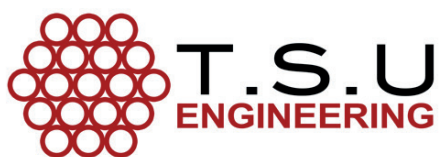
## **Scaffold Security Marking & Maintenance machines**



[www.tsuengineering.com](http://www.tsuengineering.com)

# Contents

Customer Service	4
Overview	6
Scaffold maintenance machines	8
Scaffold Security marking machines	12





# Customer Service

## **Commitment to ensuring the best customer service possible.**

At TSU Engineering we aim to provide the very best in customer service for all our customers. We cater and adapt to meet the operational needs of any size of client.

## **Commitment to ensuring a high level of communication with all customers**

Our dedicated customer service team based in Chelmsford & Darlington will respond to your enquiries by telephone, email in writing or in person 24hours a day 7 days a week.

## **Commitment to transparent, accurate invoicing**

Here at TSU Engineering we will provide clients with invoices that are accurate, easily understood and will include all the relevant details your company will need for accountancy.

Richard Bell  
Managing Director  
TSU Engineering

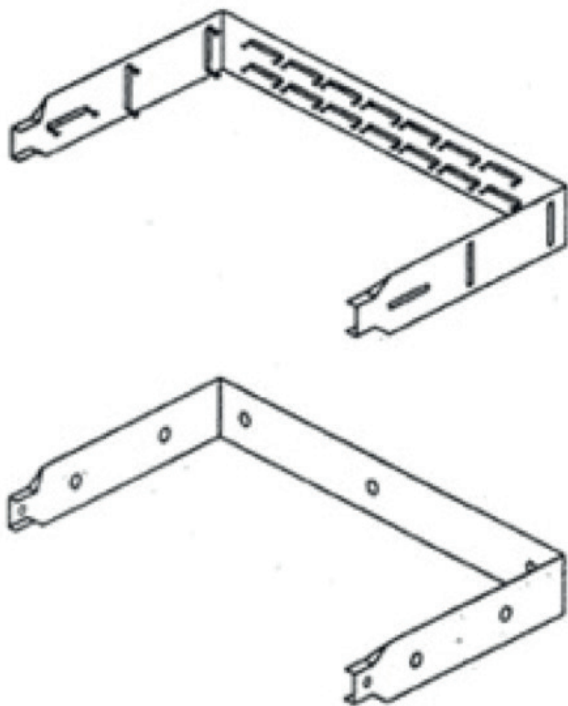
**T** +44(0)208 1443929





# Overview

TSU Engineering is a market leader in the supply of scaffold equipment maintenance and security marking systems both in Europe and the Middle East.



## **Scaffold maintenance equipment**

TSU Engineering supplies tube straightening machines, scaffold fittings stripping machines, nail plating machines, nail plates & end bands.

## **Security Marking**

TSU Engineering supplies all the equipment capable of security marking scaffold boards and both system scaffold as-well as standard parallel tube.

## **Training**

All machines produced by TSU Engineering are designed to be simple to use enabling any member of staff to operate with minimal risks during operation. however training can be arranged if required.

## **Warranty**

All TSU Engineering machines carry a 12 month international parts and labour warranty against manufacturing defects.

## **Accreditation**

TSU Engineering use market leaders in component parts for all our machines, further more utilising an ISO 9001 company for assembly.

Every machine produced by TSU Engineering carries CE approval, assuring customers of durability and quality when purchasing a machine.







## Scaffmate

### Scaffmate overview

This machine is powered by an electro/hydraulic motor and is available as a combination or as two separate variations:

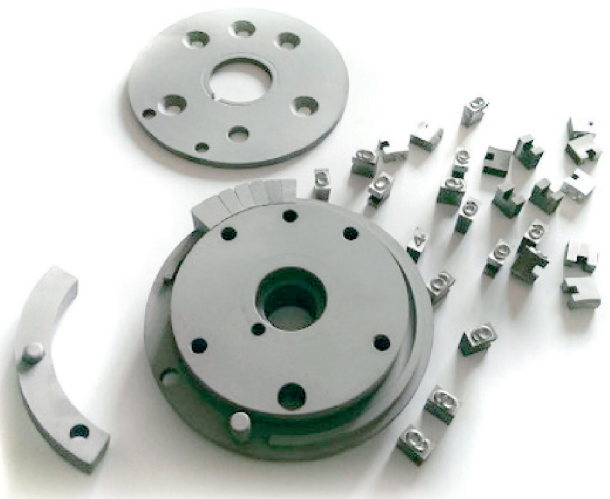
The **Nail plater** variation assists in the repair of damaged scaffold boards:

- 0.5 tonne side clamping pressure assists in the closing of the split board
- A pre set controlled pressure of 8.5 tonnes then presses and embeds the nail plate into the board.



The **Scaffstamp** variation security embosses 48.3mm outside diameter scaffold tube;

- Permanently security marks all types of parallel scaffold tube including aluminium and steel along the full length.
- Embosses at a rate of approximately 20 meters per minute.
- Marking rings dies are made from hardened tool steel ensuring longevity and durability.
- Marking ring dies can easily be replaced when required.
- Marking ring dies are available in a composite option enabling interchangeable lettering.





## Scaffmate specification

Motor:	240V 110V
Weight:	380Kg
Height:	1580mm
Width (Conveyor arm attached):	4240mm
Width (Conveyor arm removed):	900mm
Depth:	750mm

## Solid ring die

<b>Option:</b>	<b>Product code:</b>
Solid ring die (up to 53 characters)	TSU000100

## Composite ring die

<b>Option:</b>	<b>Product code:</b>
Composite ring die holder	TSU000101
Characters for composite ring die holder	TSU100102
Lock plate for composite ring die holder	TSU100103
Property plate for composite ring die holder	TSU100104
Composite spacer for composite ring die holder	TSU100105



## Hydraulic Tube Straightener

### Hydraulic Tube Straightener overview

This machine is powered by a portable electro/hydraulic system specifically designed for the re-alignment of all types of parallel steel tube.

The Hydraulic Tube Straightener's features include;

- Optional 5.5hp Yanmar diesel engine
- Adjustable push stroke
- Adjustable lugs

### Hydraulic Tube Straightener specification

Motor(Product code):	415V 3-Phase 5.5hp (TSU000108) Diesel motor option (TSU000109)
Weight:	475Kg
Height:	1100mm
Length:	1200mm
Width:	800mm





## Scaffstripper

### Scaffstripper overview

The machine is a portable electro-hydraulic vice designed to assist in gripping all types of steel forged scaffold fittings therefore enabling servicing to take place using an impact driver. This application ensures that some of the most badly seized fittings are put back into service at a favourable rate.

The Scaffstripper features include;

- Ease of use
- Extremely compact
- Fitted with castors for ease of storage
- Optional extra include an electric or pneumatic impact driver

### Scaffstripper specification

Motor(Product code):	415V 3-Phase 5.5hp (TSU000108) Diesel motor option (TSU000109)
Weight:	475Kg
Height:	1100mm
Length:	1200mm
Width:	800mm







## System Scaffstamp

### System Scaffstamp overview

This System Scaffstamp can emboss your company information onto almost any type of modular/system access equipment.

The System Scaffstamp features include;

- Adjustable pressure and speed
- The roller assembly is easily detached enabling different diameter access equipment to be processed.

### System Scaffstamp specification

Motor(Product code):	240v(TSU000110)
Hydraulics:	Embedment pressure steplessly variable from 0-1000psi, marking speed steplessly variable from 0-19m/min
Weight:	300Kg
Height:	1200mm
Length:	1210mm
Width:	775mm



## Scaffstamp

### Scaffstamp overview

This Scaffstamp can emboss 48.3mm outside diameter tubing  
The Scaffstamp features include:

- Embossment at a rate of approximately 20m/min
- The marker ring die can easily be changed/replaced when required.
- The marker ring die embosses up to 53 characters
- For special applications, a composite ring die with interchangeable characters is available as an option
- Utilising an elctro/hydraulic drive a smooth running and resistance to shock caused by distorted tubes is avoided.

### Scaffstamp specification

Motor(Product code):	240v(TSU000111) 13amp
	110v(TSU000112) 25amp
Weight:	275Kg
Width(Conveyor arms attached):	4240mm
Length(Conveyor arms removed):	900mm
Depth:	750mm







...the ...

...the ...

...the ...

...the ...

...the ...

...the ...

...the ...

...the ...

...the ...

...the ...

...the ...

...the ...

...the ...

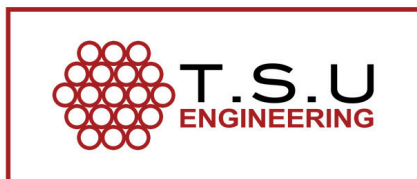
...the ...

...the ...

...the ...

...the ...

...the ...



Customer services(GB)  
PO Box 396,  
Darlington,  
Co Durham,  
DL1 9UQ

**T** +44(0)208 1443929  
**E** sales@tsuengineering.com

**[www.tsuengineering.com](http://www.tsuengineering.com)**

**A division of TSU limited**

---

Registered office  
17 Baydale road, Darlington, Co Durham DL3 8JT

Registered in England No 08473882

No part of this publication may be reproduced without prior permission from TSU Limited.

